



NACA 04 (S)

Технические характеристики

По вопросам продаж и поддержки обращайтесь:

Архангельск (8182)63-90-72	Калининград (4012)72-03-81	Нижний Новгород (831)429-08-12	Смоленск (4812)29-41-54
Астана +7(7172)727-132	Калуга (4842)92-23-67	Новокузнецк (3843)20-46-81	Сочи (862)225-72-31
Белгород (4722)40-23-64	Кемерово (3842)65-04-62	Новосибирск (383)227-86-73	Ставрополь (8652)20-65-13
Брянск (4832)59-03-52	Киров (8332)68-02-04	Орел (4862)44-53-42	Тверь (4822)63-31-35
Владивосток (423)249-28-31	Краснодар (861)203-40-90	Оренбург (3532)37-68-04	Томск (3822)98-41-53
Волгоград (844)278-03-48	Красноярск (391)204-63-61	Пенза (8412)22-31-16	Тула (4872)74-02-29
Вологда (8172)26-41-59	Курск (4712)77-13-04	Пермь (342)205-81-47	Тюмень (3452)66-21-18
Воронеж (473)204-51-73	Липецк (4742)52-20-81	Ростов-на-Дону (863)308-18-15	Ульяновск (8422)24-23-59
Екатеринбург (343)384-55-89	Магнитогорск (3519)55-03-13	Рязань (4912)46-61-64	Уфа (347)229-48-12
Иваново (4932)77-34-06	Москва (495)268-04-70	Самара (846)206-03-16	Челябинск (351)202-03-61
Ижевск (3412)26-03-58	Мурманск (8152)59-64-93	Санкт-Петербург (812)309-46-40	Череповец (8202)49-02-64
Казань (843)206-01-48	Набережные Челны (8552)20-53-41	Саратов (845)249-38-78	Ярославль (4852)69-52-93



The technical specifications might not be congruent.

- NACA...04 (S) series
- NENUTEC standard damper actuators are especially designed and produced for applications in the HVAC systems.
- Our wide range of NENUTEC standard damper actuators has been developed to operate and position air dampers of different sizes.

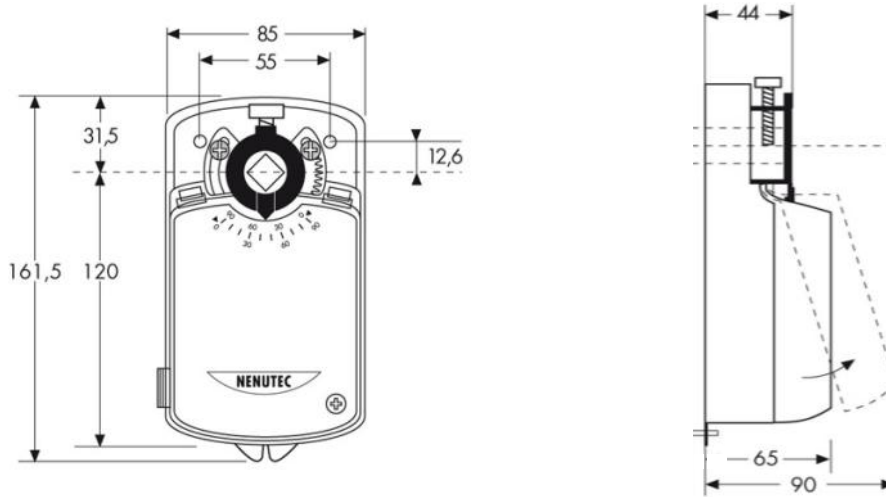
Product Features

- Torque 4 Nm
- Damper size 0.8 m²
- Power Supply AC/DC 24 V and AC 230 V
- Control 2 Point and 3 Point
- 2 adjustable auxiliary switches (SPDT)
- Shaft dimensions
Ø 6 to 16 mm round / □ 8 to 12 mm square
- Minimum shaft length 50 mm
- Selectable direction of rotation
- Adjustable angle of rotation
- Actuator with cable connection on request
- Customer version on request

Model Selection Table

Torque	Running Time	Power Supply	Auxiliary Switches	Model / Type
4 Nm	25...35 sec	AC/DC 24 V ± 10%	No	NACA 1-04
4 Nm	25...35 sec	AC/DC 24 V ± 10%	2 x SPDT	NACA 1-04 S
4 Nm	25...35 sec	AC 230 V ± 10%	No	NACA 2-04
4 Nm	25...35 sec	AC 230 V ± 10%	2 x SPDT	NACA 2-04 S

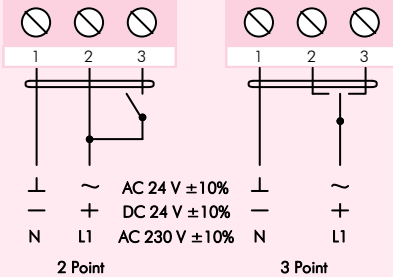
Actuator Dimensions (mm)



Technical Specifications

	NACA 1...(S)	NACA 2...(S)
Torque	4 Nm	4 Nm
Damper Size	0.8 m ²	0.8 m ²
Shaft dimensions	Ø 6 to 16 mm round / □ 8 to 12 mm square	Ø 6 to 16 mm round / □ 8 to 12 mm square
Power Supply	AC/DC 24 V ± 10%	AC 230 V ± 10%
Frequency	50 - 60 Hz	50 - 60 Hz
Control Signal	2 point and 3 point	2 point and 3 point
Power Consumption		
- Operating	2.2 W	2.8 W
- End Position	0.8 W	1.9 W
For Wire Sizing	4.1 VA	4.1 VA
Auxiliary Switch Rating	3 (1.5) A, AC 230 V	3 (1.5) A, AC 230 V
Protection Class	III	II
Angle of Rotation	0°...90° (93° mechanical)	0°...90° (93° mechanical)
Angle of Limiting	0°...90° (max. 0°...30° / 60°...90°)	0°...90° (max. 0°...30° / 60°...90°)
Weight	< 0.9 Kg	< 0.9 Kg
Life Cycle	60'000 rotation	60'000 rotation
Sound Level	50 dB (A)	50 dB (A)
IP Protection	IP 54 (dust protected & protected against splash water)	IP 54 (dust protected & protected against splash water)
Operating Temperature	-20°...+50° C / IEC 721-3-3	-20°...+50° C / IEC 721-3-3
Non-Operating Temperature	-30°...+60° C / IEC 721-3-2	-30°...+60° C / IEC 721-3-2
Ambient Humidity	5%...95% rH non condensing / EN 60730-1	5%...95% rH non condensing / EN 60730-1
Maintenance	Maintenance free	Maintenance free
Mode of Operation	Type I / EN 60730-1	Type I / EN 60730-1
EMC	CE according to 89 / 336 / EEC	CE according to 89 / 336 / EEC

Wiring Diagram NACA 1/2...(S) Power Supply AC/DC 24 V - AC 230 V

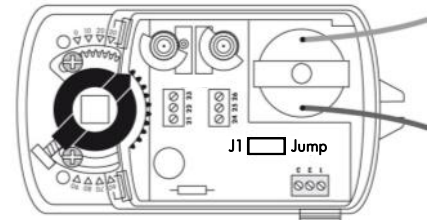
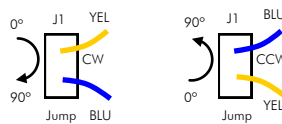


⚠ Connect via safety isolating transformer

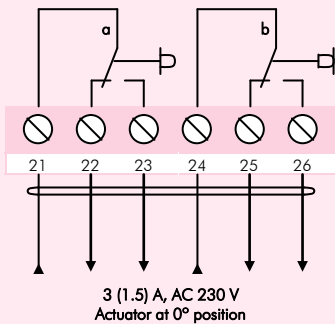
Changing Direction of Rotation NACA 1/2...(S)

Factory-set CW!

The direction of rotation can be changed by reversing the plug J1/Jump.



Wiring Diagram NACA 1/2...(S) Auxiliary Switches

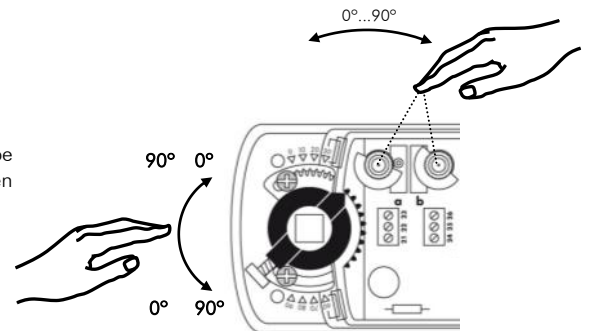


Adjustment of Auxiliary Switches NACA 1/2...(S)

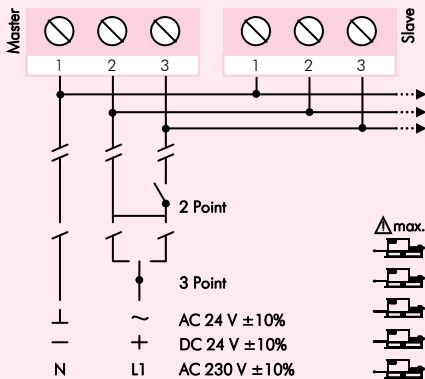
Switch **a** factory-set at 10°

Switch **b** factory-set at 80°

The auxiliary switches can be optimally adjusted between 0° ... 90° .



Wiring Diagram NACA 1/2...(S) Parallel Connection



Remark

Parallel connection of several NACA...(S) actuators is possible. The power consumption must be observed.



По вопросам продаж и поддержки обращайтесь:

Архангельск (8182)63-90-72	Калининград (4012)72-03-81	Нижний Новгород (831)429-08-12	Смоленск (4812)29-41-54
Астана +7(7172)727-132	Калуга (4842)92-23-67	Новокузнецк (3843)20-46-81	Сочи (862)225-72-31
Белгород (4722)40-23-64	Кемерово (3842)65-04-62	Новосибирск (383)227-86-73	Ставрополь (8652)20-65-13
Брянск (4832)59-03-52	Киров (8332)68-02-04	Орел (4862)44-53-42	Тверь (4822)63-31-35
Владивосток (423)249-28-31	Краснодар (861)203-40-90	Оренбург (3532)37-68-04	Томск (3822)98-41-53
Волгоград (844)278-03-48	Красноярск (391)204-63-61	Пенза (8412)22-31-16	Тула (4872)74-02-29
Вологда (8172)26-41-59	Курск (4712)77-13-04	Пермь (342)205-81-47	Тюмень (3452)66-21-18
Воронеж (473)204-51-73	Липецк (4742)52-20-81	Ростов-на-Дону (863)308-18-15	Ульяновск (8422)24-23-59
Екатеринбург (343)384-55-89	Магнитогорск (3519)55-03-13	Рязань (4912)46-61-64	Уфа (347)229-48-12
Иваново (4932)77-34-06	Москва (495)268-04-70	Самара (846)206-03-16	Челябинск (351)202-03-61
Ижевск (3412)26-03-58	Мурманск (8152)59-64-93	Санкт-Петербург (812)309-46-40	Череповец (8202)49-02-64
Казань (843)206-01-48	Набережные Челны (8552)20-53-41	Саратов (845)249-38-78	Ярославль (4852)69-52-93