



## NACA 10 (S1)

### Технические характеристики

По вопросам продаж и поддержки обращайтесь:

Архангельск (8182)63-90-72	Калининград (4012)72-03-81	Нижний Новгород (831)429-08-12	Смоленск (4812)29-41-54
Астана +7(7172)727-132	Калуга (4842)92-23-67	Новокузнецк (3843)20-46-81	Сочи (862)225-72-31
Белгород (4722)40-23-64	Кемерово (3842)65-04-62	Новосибирск (383)227-86-73	Ставрополь (8652)20-65-13
Брянск (4832)59-03-52	Киров (8332)68-02-04	Орел (4862)44-53-42	Тверь (4822)63-31-35
Владивосток (423)249-28-31	Краснодар (861)203-40-90	Оренбург (3532)37-68-04	Томск (3822)98-41-53
Волгоград (844)278-03-48	Красноярск (391)204-63-61	Пенза (8412)22-31-16	Тула (4872)74-02-29
Вологда (8172)26-41-59	Курск (4712)77-13-04	Пермь (342)205-81-47	Тюмень (3452)66-21-18
Воронеж (473)204-51-73	Липецк (4742)52-20-81	Ростов-на-Дону (863)308-18-15	Ульяновск (8422)24-23-59
Екатеринбург (343)384-55-89	Магнитогорск (3519)55-03-13	Рязань (4912)46-61-64	Уфа (347)229-48-12
Иваново (4932)77-34-06	Москва (495)268-04-70	Самара (846)206-03-16	Челябинск (351)202-03-61
Ижевск (3412)26-03-58	Мурманск (8152)59-64-93	Санкт-Петербург (812)309-46-40	Череповец (8202)49-02-64
Казань (843)206-01-48	Набережные Челны (8552)20-53-41	Саратов (845)249-38-78	Ярославль (4852)69-52-93



The technical specifications might not be congruent.

- NACA...10 (S1) series
- NENUTEC standard damper actuators are especially designed and produced for applications in the HVAC systems.
- Our wide range of NENUTEC standard damper actuators has been developed to operate and position air dampers of different sizes.

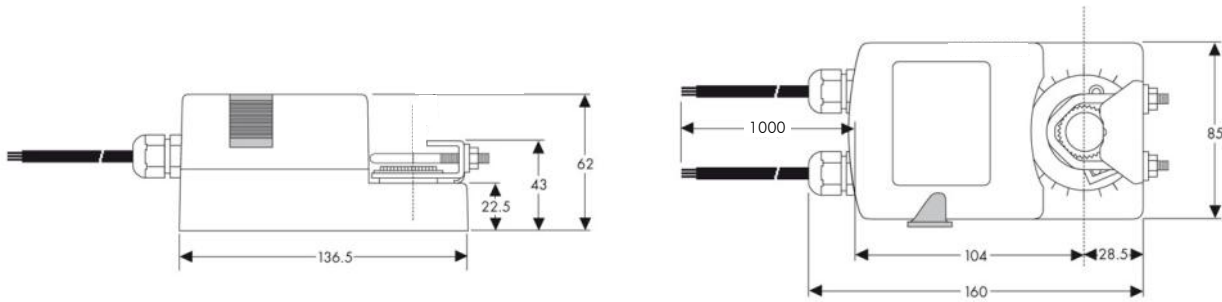
### Product Features

- Torque 10 Nm
- Damper size 2.0 m<sup>2</sup>
- Power Supply AC/DC 24 V and AC 230 V
- Control 2 Point and 3 Point
- 1 adjustable auxiliary switch (SPDT)
- Shaft dimensions Ø 10 to 17 mm (new 20 mm) round /  
□ 5 to 12 mm (new 14 mm) square
- Minimum shaft length 45 mm
- Selectable direction of rotation
- Adjustable angle of rotation
- Actuator with 1000 mm cable connection
- Customer version on request

### Model Selection Table

Torque	Running Time	Power Supply	Auxiliary Switch	Model / Type
10 Nm	100...120 sec	AC/DC 24 V ± 10%	No	NACA 1-10
10 Nm	100...120 sec	AC/DC 24 V ± 10%	1 x SPDT	NACA 1-10 S1
10 Nm	100...120 sec	AC 230 V ± 10%	No	NACA 2-10
10 Nm	100...120 sec	AC 230 V ± 10%	1 x SPDT	NACA 2-10 S1

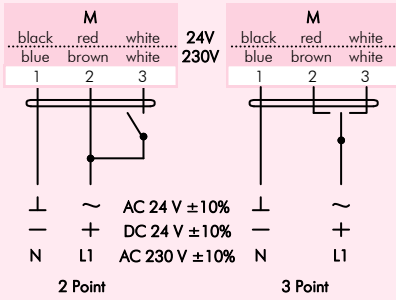
## Actuator Dimensions (mm)



## Technical Specifications

	NACA 1...(S1)	NACA 2...(S1)
Torque	10 Nm	10 Nm
Damper Size	2.0 m <sup>2</sup>	2.0 m <sup>2</sup>
Shaft dimensions new	Ø 10 to 20 mm round / □ 5 to 14 mm square	Ø 10 to 20 mm round / □ 5 to 14 mm square
Power Supply	AC/DC 24 V ± 10%	AC 230 V ± 10%
Frequency	50 - 60 Hz	50 - 60 Hz
Control Signal	2 point and 3 point	2 point and 3 point
Power Consumption		
- Operating	6.0 W	6.0 W
- End Position	2.0 W	4.0 W
For Wire Sizing	6.5 VA	6.5 VA
Auxiliary Switch Rating	3 (1.5) A, AC 250 V	3 (1.5) A, AC 250 V
Protection Class	III	II
Angle of Rotation	0°...90° (95° mechanical)	0°...90° (95° mechanical)
Angle of Limiting	0°...90° in 10° steps	00°...90° in 10° steps
Weight	< 1.0 Kg	< 1.1 Kg
Life Cycle	60'000 rotation	60'000 rotation
Sound Level	45 dB (A)	45 dB (A)
IP Protection	IP 54 (dust protected & protected against splash water)	IP 54 (dust protected & protected against splash water)
Operating Temperature	-20°...+50° C / IEC 721-3-3	-20°...+50° C / IEC 721-3-3
Non-Operating Temperature	-30°...+60° C / IEC 721-3-2	-30°...+60° C / IEC 721-3-2
Ambient Humidity	5%...95% rH non condensing / EN 60730-1	5%...95% rH non condensing / EN 60730-1
Maintenance	Maintenance free	Maintenance free
Mode of Operation	Type I / EN 60730-1	Type I / EN 60730-1
EMC	CE according to 89 / 336 / EEC	CE according to 89 / 336 / EEC

### Wiring Diagram NACA 1/2...(S1) Power Supply AC/DC 24 V - AC 230 V

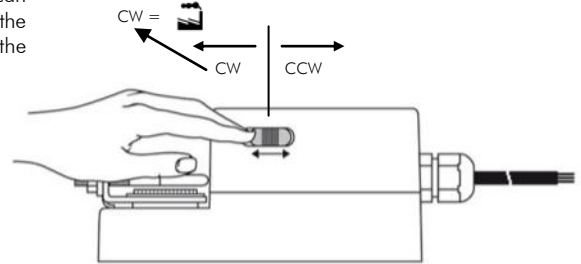


⚠ Connect via safety isolating transformer

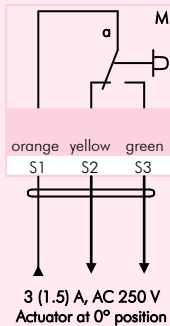
### Changing Direction of Rotation NACA 1/2...(S1)

Factory-set CW!

The direction of rotation can be changed by pushing the CW/CCW switch on the actuator's housing.



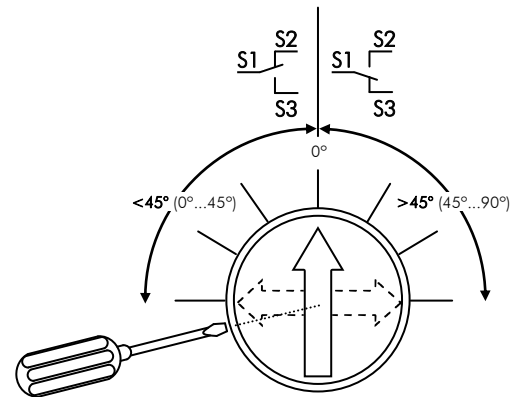
### Wiring Diagram NACA 1/2...(S1) Auxiliary Switch



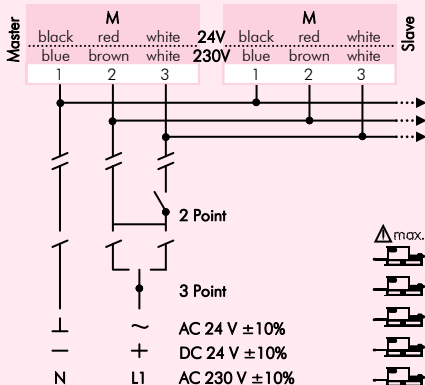
### Adjustment of Auxiliary Switch NACA 1/2...(S1)

Switch a factory-set at 5°

The auxiliary switch can be optimally adjusted between 0°...90°.



### Wiring Diagram NACA 1/2...(S1) Parallel Connection



### Remark

Parallel connection of several NACA...(S1) actuators is possible. The power consumption must be observed.



По вопросам продаж и поддержки обращайтесь:

Архангельск (8182)63-90-72	Калининград (4012)72-03-81	Нижний Новгород (831)429-08-12	Смоленск (4812)29-41-54
Астана +7(7172)727-132	Калуга (4842)92-23-67	Новокузнецк (3843)20-46-81	Сочи (862)225-72-31
Белгород (4722)40-23-64	Кемерово (3842)65-04-62	Новосибирск (383)227-86-73	Ставрополь (8652)20-65-13
Брянск (4832)59-03-52	Киров (8332)68-02-04	Орел (4862)44-53-42	Тверь (4822)63-31-35
Владивосток (423)249-28-31	Краснодар (861)203-40-90	Оренбург (3532)37-68-04	Томск (3822)98-41-53
Волгоград (844)278-03-48	Красноярск (391)204-63-61	Пенза (8412)22-31-16	Тула (4872)74-02-29
Вологда (8172)26-41-59	Курск (4712)77-13-04	Пермь (342)205-81-47	Тюмень (3452)66-21-18
Воронеж (473)204-51-73	Липецк (4742)52-20-81	Ростов-на-Дону (863)308-18-15	Ульяновск (8422)24-23-59
Екатеринбург (343)384-55-89	Магнитогорск (3519)55-03-13	Рязань (4912)46-61-64	Уфа (347)229-48-12
Иваново (4932)77-34-06	Москва (495)268-04-70	Самара (846)206-03-16	Челябинск (351)202-03-61
Ижевск (3412)26-03-58	Мурманск (8152)59-64-93	Санкт-Петербург (812)309-46-40	Череповец (8202)49-02-64
Казань (843)206-01-48	Набережные Челны (8552)20-53-41	Саратов (845)249-38-78	Ярославль (4852)69-52-93